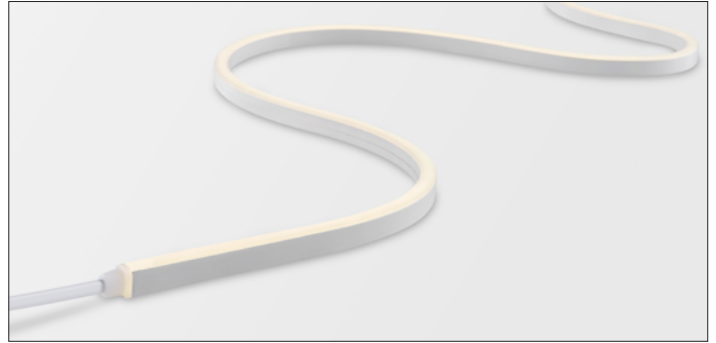


DATE

PROJECT

TYPE



PRODUCT FEATURES

- Seamless Spot Free Illumination
- Ultra Slim
- Close Pitch LEDs
- Bend Direction Horizontally
- Dimmable
- Indoor and Outdoor Application
- 8 Colors Available
- Field Cut-able (38.5mm)
- Available in Standard Lengths of 1,2,3,4,5M Reels

PRODUCT SPECIFICATIONS

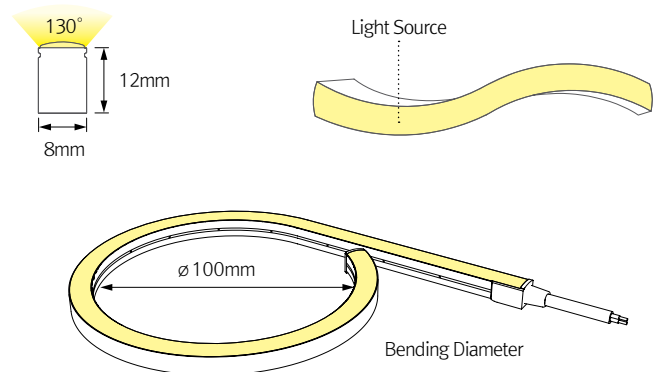
IP Rate	IP67 with Factory Termination (Customized Length Available)
	IP65 with Field Termination
	IP20 with Indoor Termination
Lamp Power	10W/m
Power Input	24V DC
Color Rendering	Ra>90
Operating Temperature Ranges	-20°C to 50°C
Maximum Length	5,005mm
Minimum Length	38.5mm
Minimum Bending Diameter	100mm
Beam Angle	130°
Material	Silicone

SPECIFICATIONS TABLE



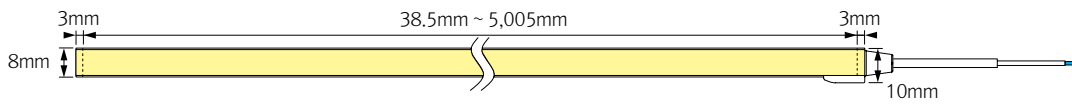
Model Number	Color	Lamp Power	Luminous Flux (lm/m)	Lumen/W
FN1 22K-24V-C90	2200K	10W/m	349	35lm/W
FN1 24K-24V-C90	2400K		401	40lm/W
FN1 27K-24V-C90	2700K		410	41lm/W
FN1 30K-24V-C90	3000K		424	42lm/W
FN1 35K-24V-C90	3500K		429	43lm/W
FN1 40K-24V-C90	4000K		406	41lm/W

PHYSICAL SPECIFICATIONS

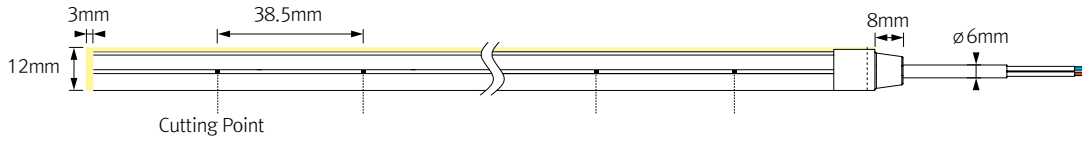


DIMENSIONS

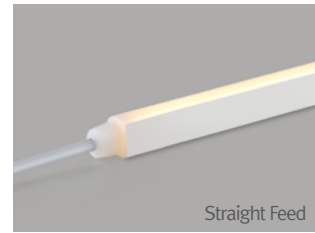
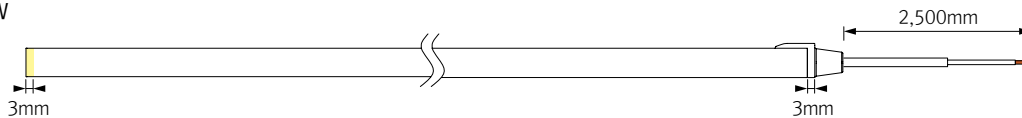
TOP VIEW



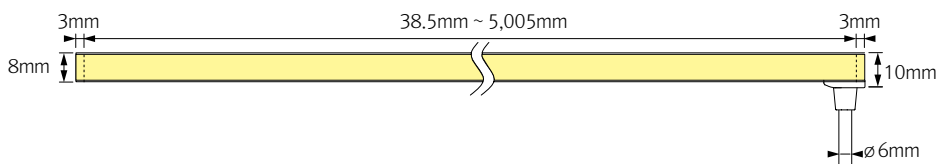
SIDE VIEW



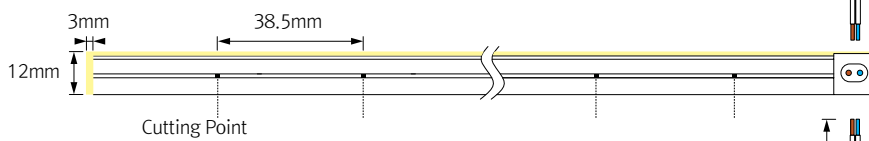
BOTTOM VIEW



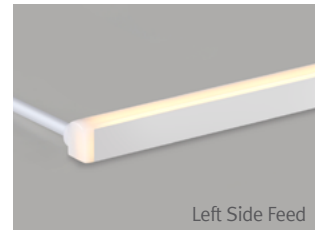
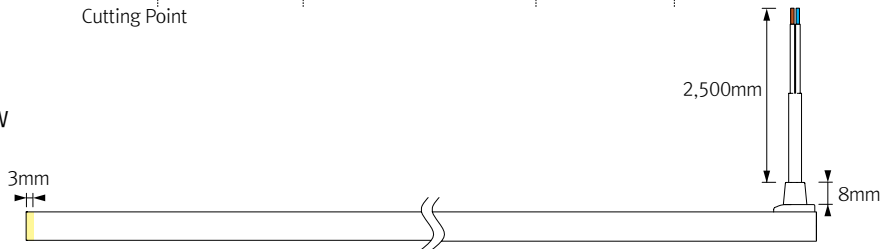
TOP VIEW



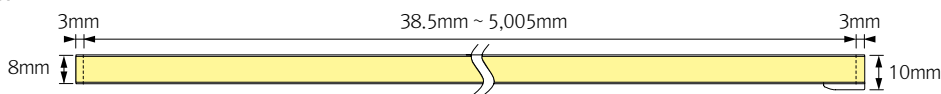
SIDE VIEW



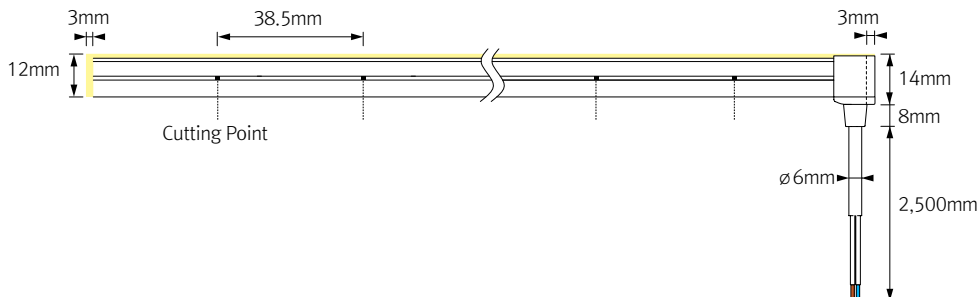
BOTTOM VIEW



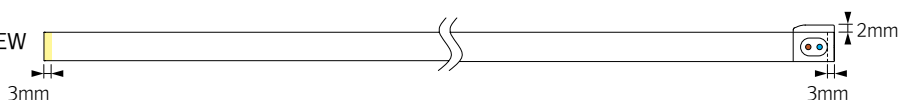
TOP VIEW



SIDE VIEW

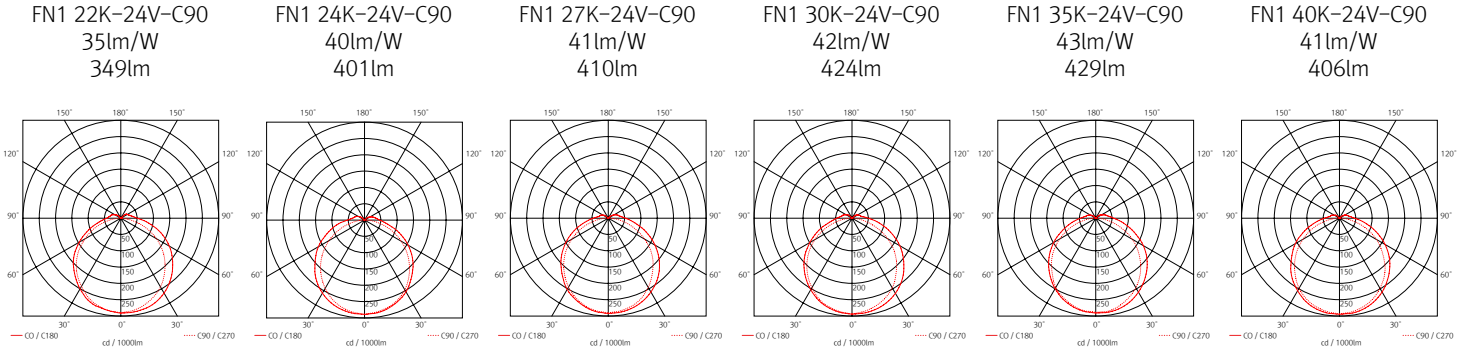


BOTTOM VIEW



FLXible Neon can be cut every 38.5mm.
Please follow the cutting point mark to cut precisely as needed.

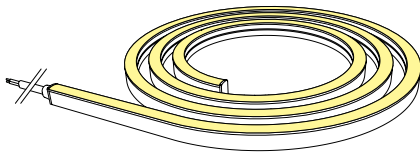
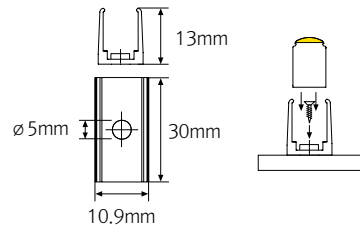
BEAM SPREADS



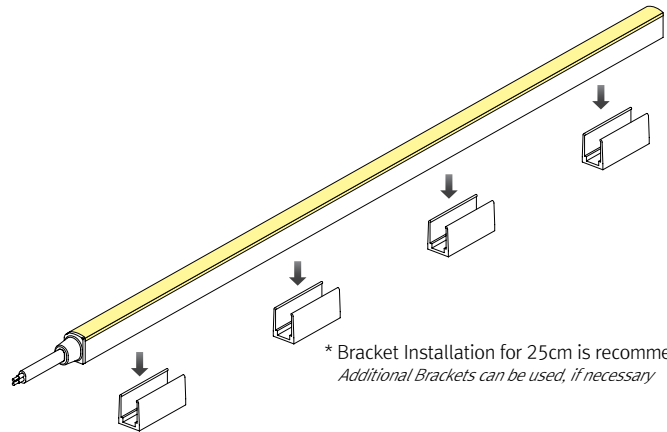
COMPONENTS

	FLXible Neon 1 __FN1-(color)K-24V-C90-5m __FN1-(color)K-24V-C90-4m __FN1-(color)K-24V-C90-3m __FN1-(color)K-24V-C90-2m __FN1-(color)K-24V-C90-1m		Indoor Power Cable __FN1-INPC (2,500mm) with END CAP		LED Drivers __FLC30-24V/T (30W) __FLC75-24V/T (75W) with distributor and power cord (1,800mm)
	Mounting Brackets __FN1-BRACKET1		Indoor Direct Connector __FN1-INCP1		LED Driver __FLC200-24V/T (200W) with 12way distributor
	FN1 Extrusion Line __FN1-EXL (1,200mm)		Indoor Connecting Cable __FN1-INPTC (150mm) __FN1-INPTC1 (300mm) __FN1-INPTC2 (600mm) __FN1-INPTC4 (1,200mm) __FN1-INPTC6 (1,800mm)		Dimming Interface (0-10V/1-10V) __FDC-L10 (Max. 100W)
	Angled Brackets Angled 15° / 40° __FN1-BRACKET2 Optional		Field Termination __FN1-FTKIT		Dimming Interface __FDA-L2MO (0-10V/1-10V, DMX512) Max. 200W (100W/CH, 2CH) __FDA-L5M (DMX512) Max. 200W (50W/CH, 5CH)
	Expanding Stick __FN-EPS		12 Port Hub __12 Way distributor Included with Cord and Plug drivers. Order separately for 3rd Party Drivers		Dimming Interface (Dail) __FDD-L1DA Max. 200W (100W/CH, 1CH)

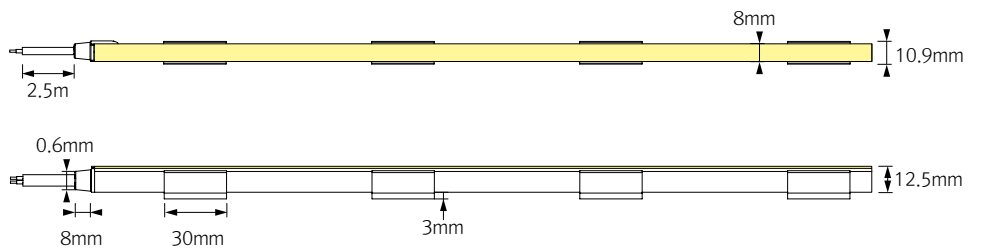
INSTALLATION - Bracket



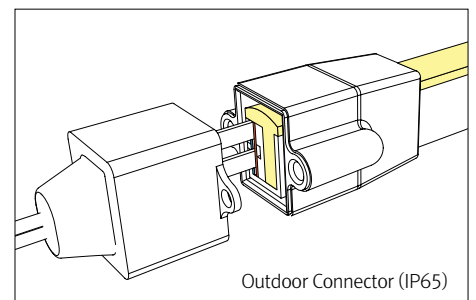
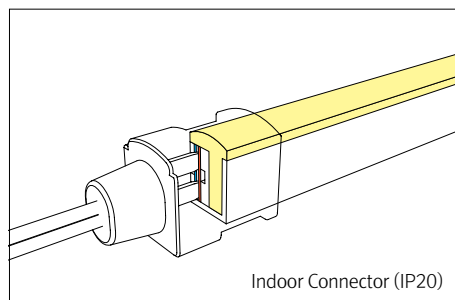
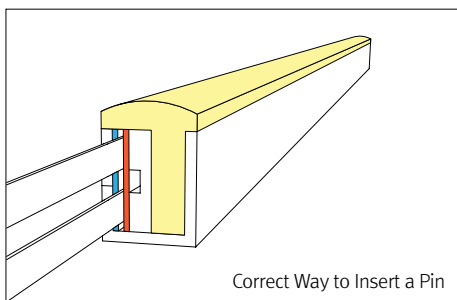
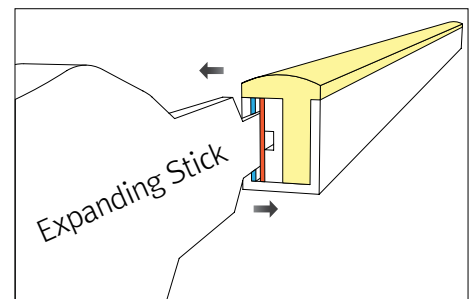
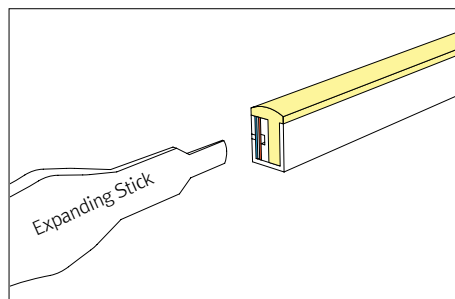
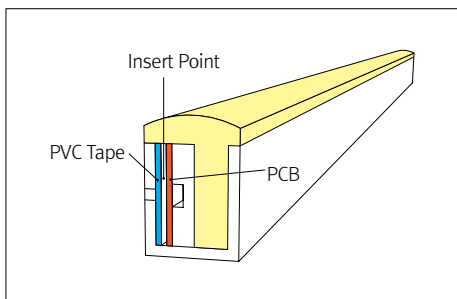
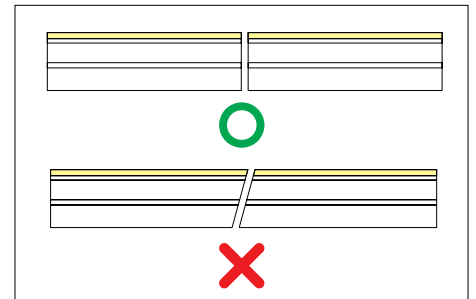
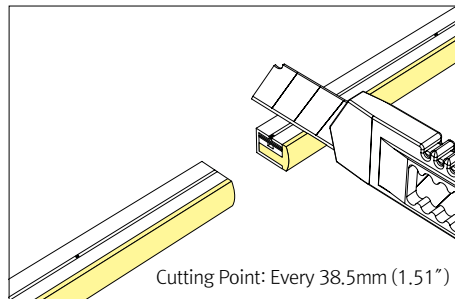
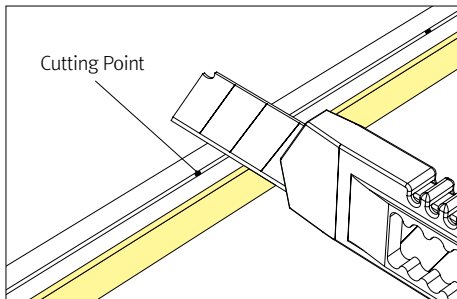
* Bracket & Screw are included every 25cm



* Bracket Installation for 25cm is recommended
Additional Brackets can be used, if necessary

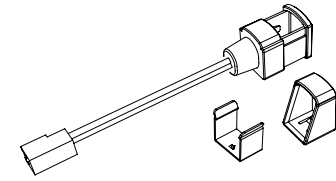


INSTALLATION - Termination Kit

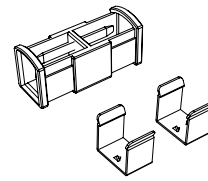


INSTALLATION – Indoor Termination (IP20)

* Components

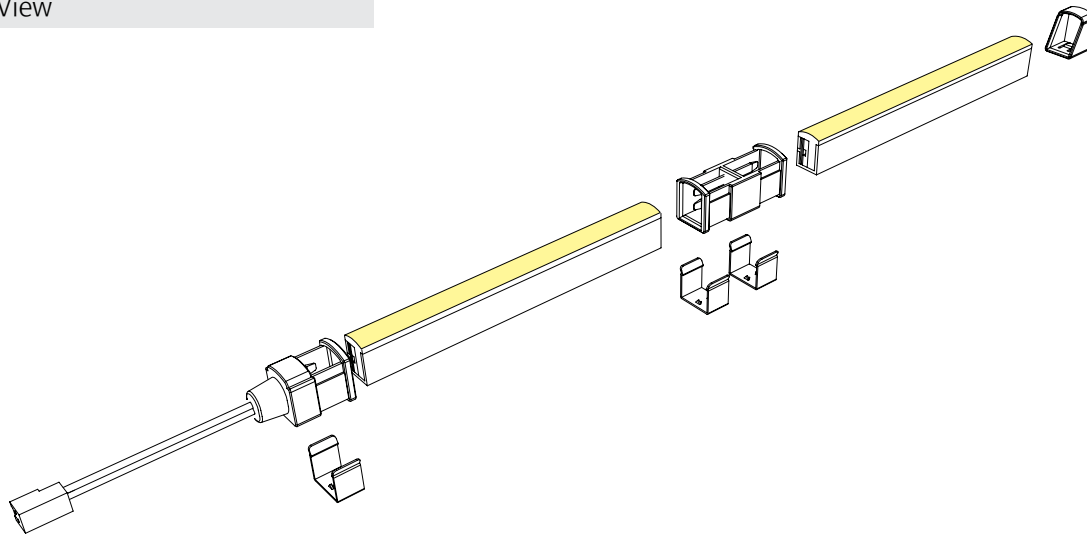


FN1-INPC
- Indoor Power Cable with END CAP



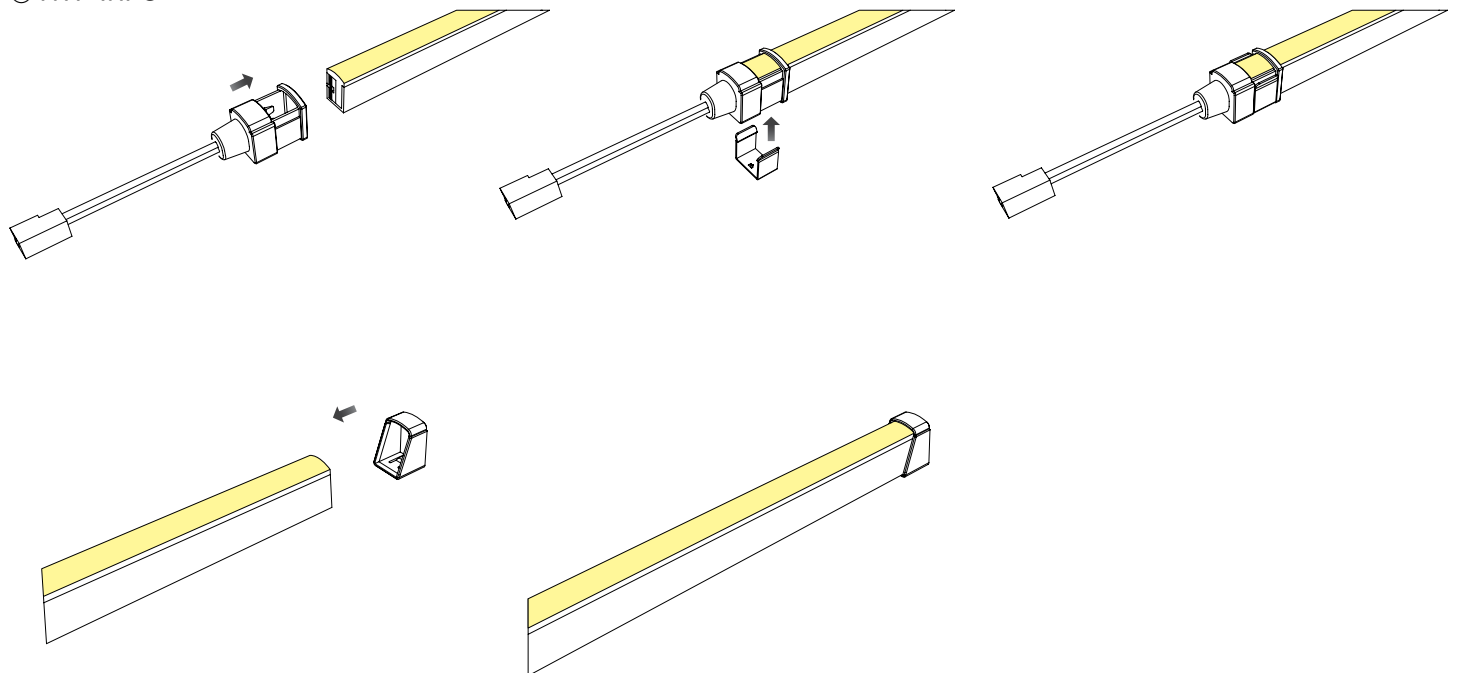
FN1-INCP
- Indoor Direct Connector

* Expanded View

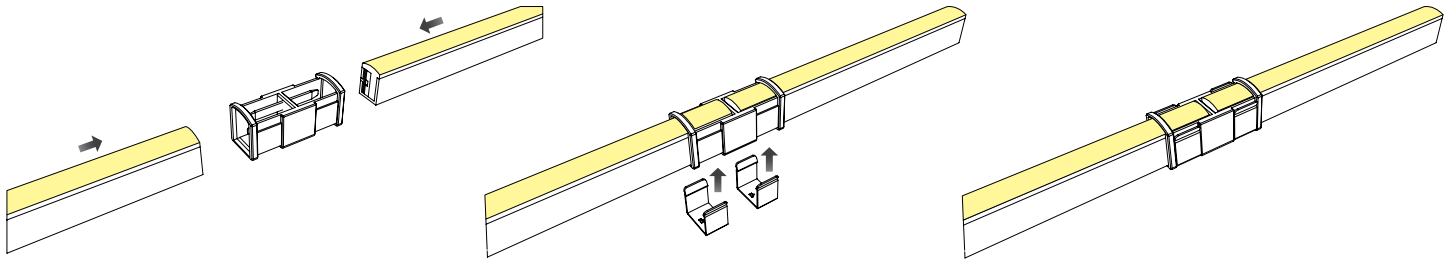


* Installation Method

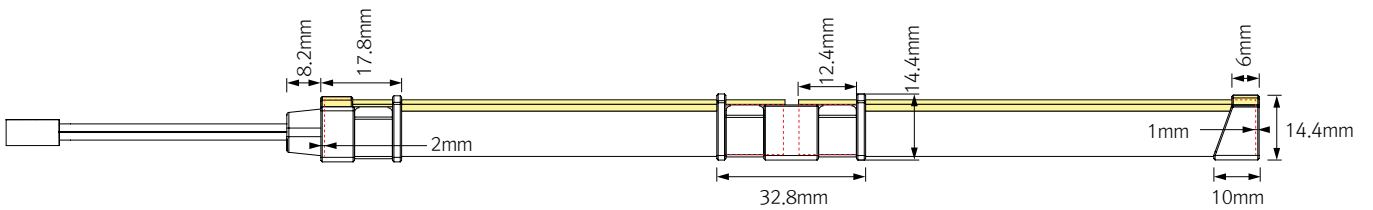
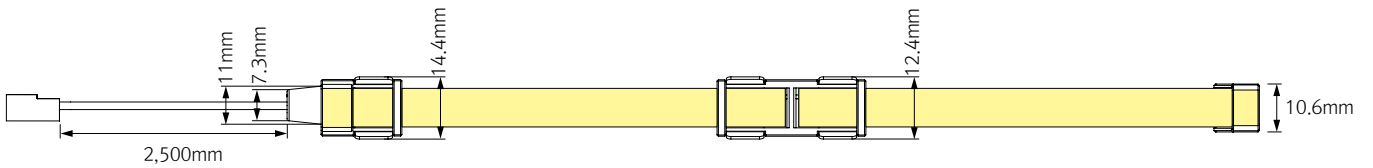
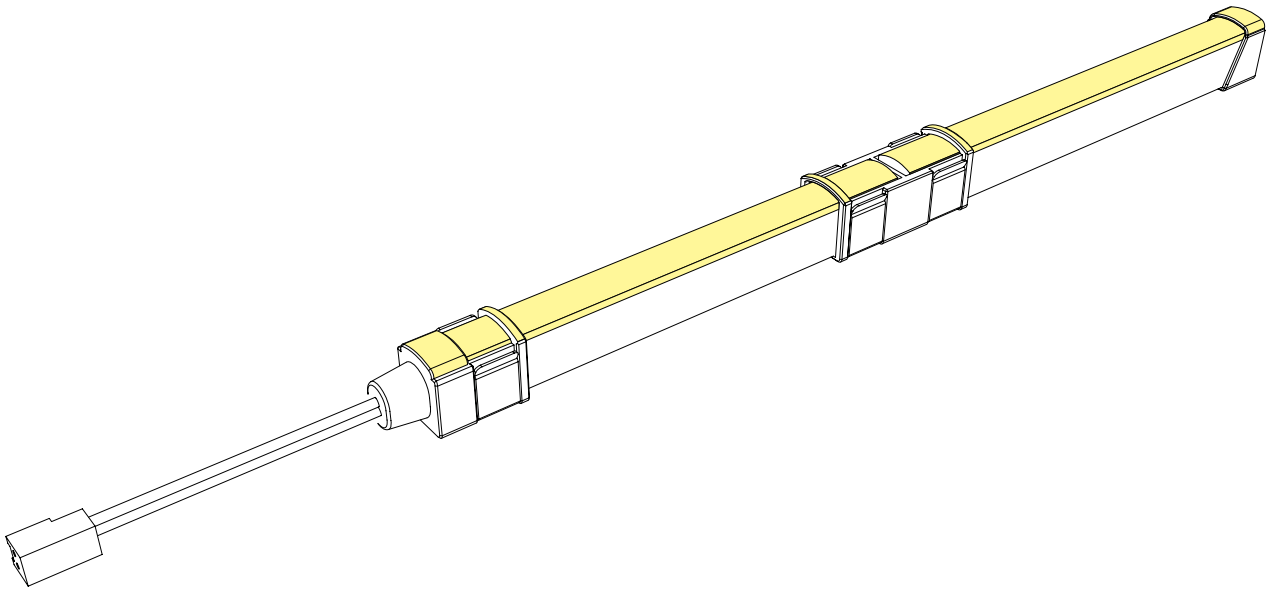
① FN1-INPC



② FN1-INCPL

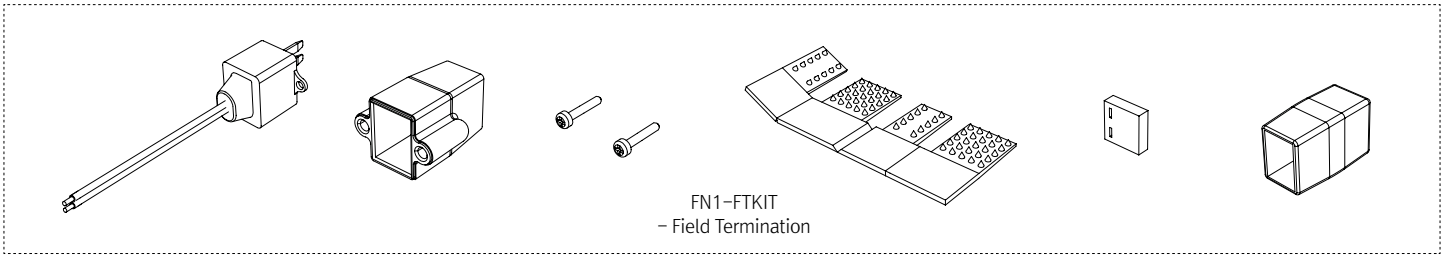


* Finished view

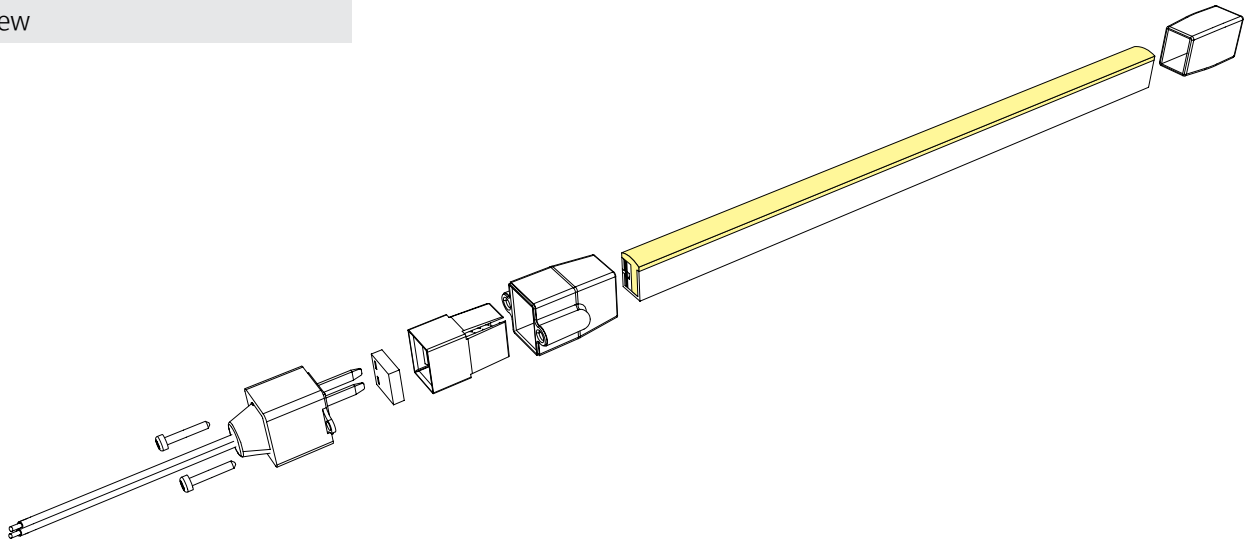


Installation - Field Termination (IP65)

* Components

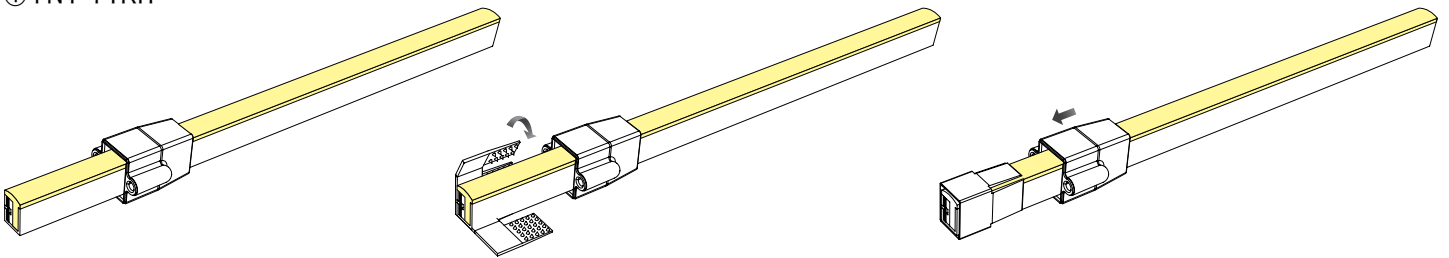


* Expanded View

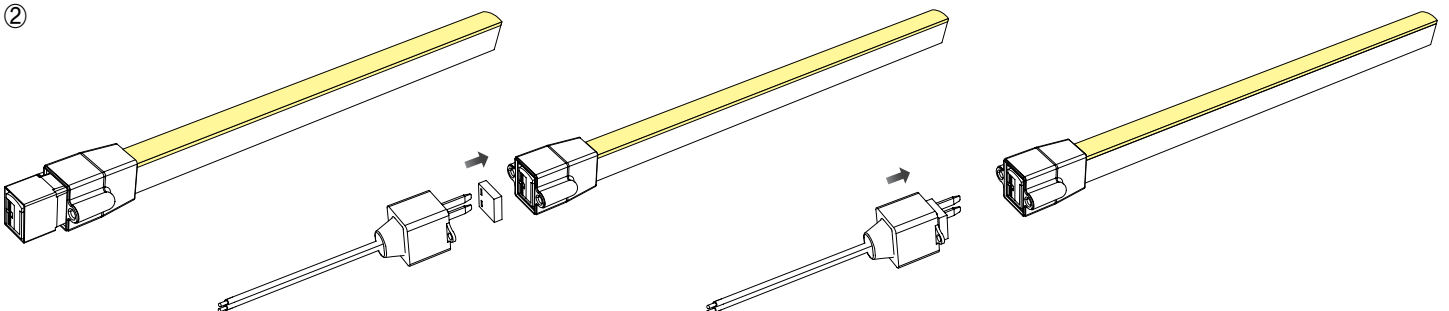


* Installation Method

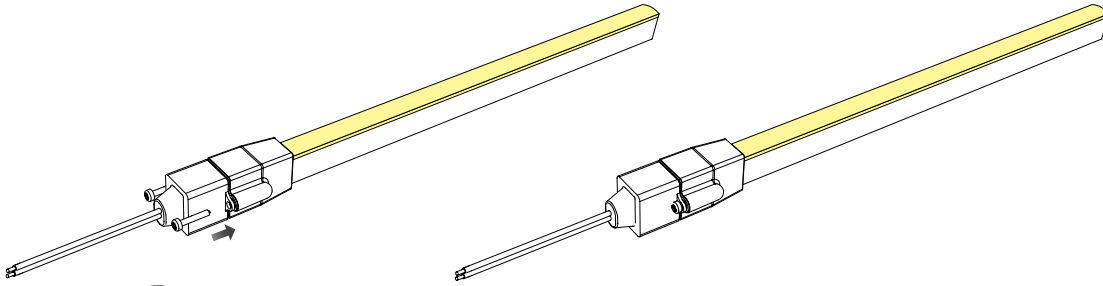
① FN1-FTKIT



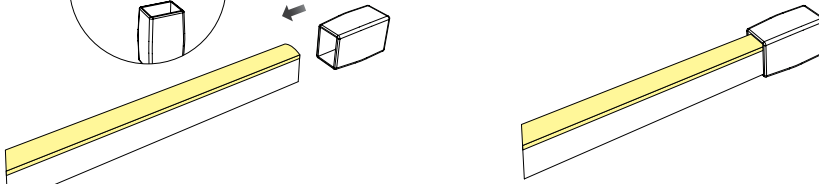
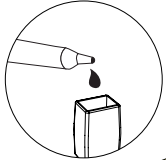
②



③



④



* Use the silicone glue to attach the endcap

* Finished view

